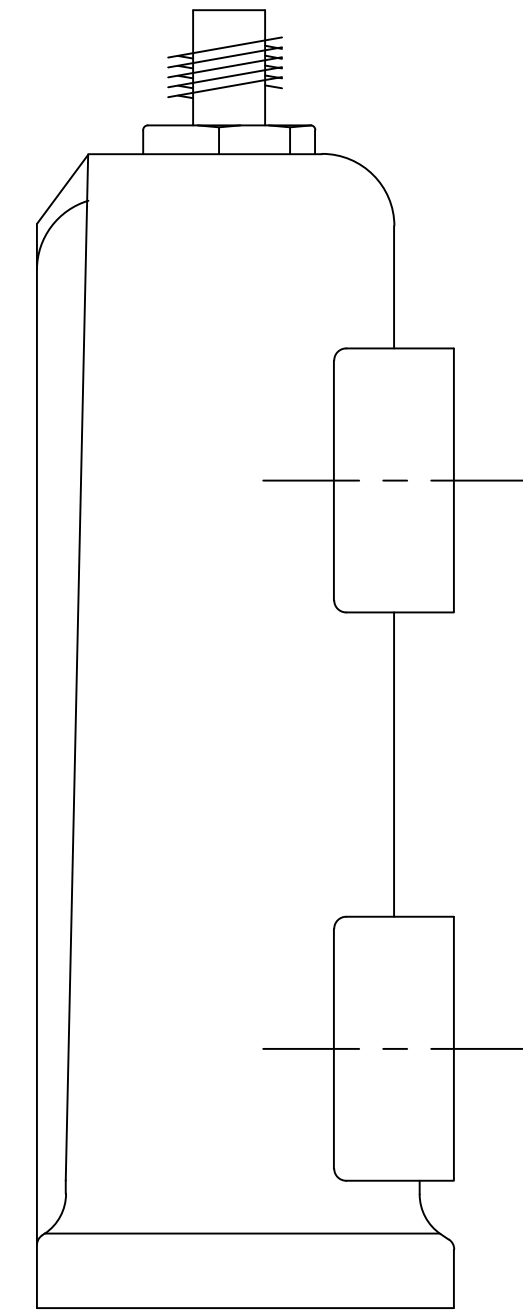
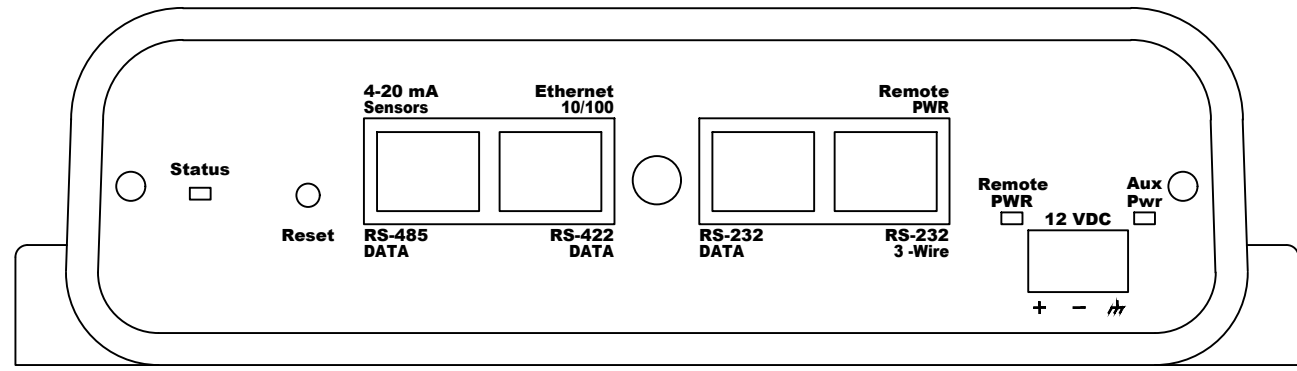


TOP VIEW



SIDE VIEW



FRONT VIEW



415 N. QUAY ST. BUILDING B-1
KENNEWICK, WA. 99336
P: (509) 735-9092
www.esteem.com

THE DOCUMENT, DATA, AND INFORMATION CONTAINED THEREIN ARE CONFIDENTIAL AND PROPRIETARY TO ELECTRONIC SYSTEMS TECHNOLOGY INC. NEITHER THIS DOCUMENT NOR ANY DATA OR INFORMATION THEREIN MAY BE PRODUCED, USED, RELEASED OR DISCLOSED, IN WHOLE OR IN PART, WITHOUT THE EXPRESSED WRITTEN CONSENT OF ELECTRONIC SYSTEMS TECHNOLOGY INC.

NAME		DATE	195 NARROW BAND SERIES		
DRAFTER	BM EKAR	10/25/2019	MODELS: 195M, 195H, 195C		
DRAFTING CHECK			ESTEEM CASE DIAGRAM		
ENGINEER					
ENGINEERING CHECK					
PROJECT MANAGER					
DESIGN AUTHORITY			SIZE	DRAWING NO	REV
			B	195NB-1	0
SCALE			1:1	SHEET	1 OF 1

4

3

2

1

c:\users\brian.m.ekar\documents\est drawings\drawings\195 narrow band.dwg 10/25/2019 4:40 PM